

Dyson Customer care  
www.dyson.com

UK	(+44) 0800 345 7788 www.dyson.co.uk	CY	(+357) 24 532 220 www.dyson.cy	JP	(+81) 0120 295 731 www.dyson.co.jp	PT	(+351) 800 784 355 www.dyson.pt
ROI	(+353) 01 401 8300 www.dyson.ie	CZ	0800 777 55 777 www.dyson.cz	KR	(+82) 70 4036 0073 www.krdyson.com	QA	(+971) 4 507 6000 www.dyson.ae
AE	(+971) 4 507 6000 www.dyson.ae	DE	(+49) 0800 3131 319 www.dyson.de	KW	(+971) 4 507 6000 www.dyson.ae	RO	(+40) 031 432 6140 www.dyson.ro
AR	(+1) 855 720 6378 www.dyson.com.ar	DK	(+45) 7025 5232 www.dyson.dk	LB	(+961) 1 252 474 www.dyson.com	RU	(+7) 88 001 001 002 www.dyson.com.ru
AT	(+43) 0800 8866 7343 www.dyson.at	ES	(+34) 900 803 650 www.dyson.es	LU	(+32) 0800 62452 www.dyson.lu	SA	(+966) 920 005 759 www.sa.dyson.com
AU	(+61) 1800 426 337 www.dyson.com.au	FI	(+358) 010 321 5080 www.dyson.com	MO	(+86) 21 6020 0502 (+86) 138 1790 3027 www.dyson.cn	SE	(+45) 70 25 48 23 www.dyson.se
BE	(+32) 0800 39 209 www.dyson.be	FR	(+33) 0800 945 802 www.dyson.fr	MX	(+1) 855 720 6378 www.dyson.mx	SG	(+65) 644 3 2099 www.dyson.com.sg
BG	(+359) 2 968 1111 www.dyson.bg	GR	(+30) 800 111 3500 www.gridyson.com	MY	(+603) 7710 5877 www.dyson.my	SK	0800 777 55 777 www.dyson.sk
BH	(+971) 4 507 6000 www.dyson.ae	GT	(+1) 855 720 6378 www.dyson.gt	NL	(+31) 0800 020 6204 www.dyson.nl	SI	(+385) 01 3818 139 www.dyson.si
BR	(+1) 855 720 6378 www.dyson.com.br	HK	(+852) 2102 5503 www.dyson.hk	NO	(+47) 32 829 940 www.dyson.no	TH	(+66) 2 628 2200 www.dyson.th
CA	(+1) 877 397 6622 www.dyson.ca	HU	0800 777 55 777 www.dyson.hu	NZ	(+64) 0800 397 667 www.dyson.co.nz	TR	(+90) 850 532 11 44 www.dyson.com.tr
CH	(+41) 0848 807 817 www.dyson.ch	ID	(+65) 6643 2999 www.dyson.co.id	OM	(+971) 4 507 6000 www.dyson.ae	TW	(+886) 2 8751 0599 www.dyson.tw
CL	(+1) 855 720 6378 www.dyson.cl	IL	(+972) 03 612 9401 www.dyson.co.il	PA	(+1) 855 720 6378 www.dyson.com.pa	UA	(+38) 0 800 504-1800 www.dyson.ua
CN	(+86) 21 6020 0502 (+86) 138 1790 3027 www.dyson.cn	IN	(+65) 6643 2999 www.dyson.in	PE	(+1) 855 720 6378 www.dyson.com.pe	US	(+1) 855 720 6378 www.dyson.com
CO	(+1) 855 720 6378 www.dyson.co	IT	(+39) 800 976 027 www.dyson.it	PH	(+63) 2 243 1931 www.dyson.ph		
CR	(+1) 855 720 6378 www.dyson.cr	JM	(+1) 855 720 6378 www.dyson.com	PL	(+48) 227 383 481 www.dyson.pl		

685 1610 8294 201 81 1011 60 10 930000 8996 91



dyson airblade wash+dry



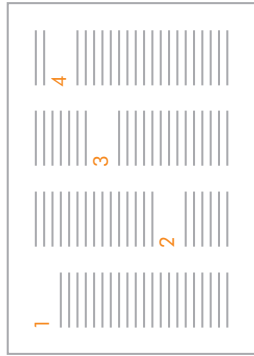
Installation notes Инструкции за монтаж Observações sobre a instalação Consignes d'installation Poznámky k instalaci Installationshinweise Installationsnoter Guía de instalación Asennusohjeita Instruccions d'installation	Σημειώσεις για την εγκατάσταση Szerelési útmutató Návod na instalaci Catatan pemasangan பரந்த துறவு Afhugasemdir vegna uppsetningar Note di installazione 取り付けについて 설치 참고사항 Nota pemasangan	Opmerkingen voor installatie Opmerkingen voor installatie Uwagi dotyczące montażu Notas de instalação Ghid de instalare Примечания к установке ملحوظات التركيب Installationsnoteringar Poznámky k montáži	Opombe za montažo අවධානයක් සලකා බැලිය යුතුය Kurulum notları 安裝說明 Примітки щодо встановлення Guía de instalación
---	---	---	--

W046  
W045

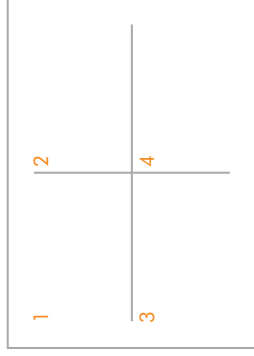
GB/RO/IN/JW/	IL	147	TW/HK/MO	286
MT/PH/SG	4 IS	148	UA	294
AU/NZ	12 IT/CH	156	USEN	302
BG	20 JP	164	USES/AR/CL/GT/	
BR	28 KR	172	MX/PA	310
CA	36 MY	180		
CAFR	44 NL	188		
CN	52 NO	196		
CZ	60 PL	204		
DE/AT/CH/LU	68 PT	212		
DK	76 RO/MD	220		
ES	84 RU	228		
FI	92 SA/UAE	245		
FR/BE/CH/LU	100 SE	246		
GR/CY	108 SK	254		
HR	116 SL	262		
HU	124 TH	270		
ID	132 TR	278		



+



=



# GB/ROI/IN/JM/MT/PH/SG

## Contents

<b>Important Safety Instructions</b>	<b>5</b>	<b>⚠</b>
<b>In the box</b>	<b>6</b>	
<b>Pre-installation checks</b>	<b>7</b>	
<b>Installation</b>		
Step-by-step	9	
Test installation	11	
Troubleshooting	11	

# IMPORTANT SAFETY INSTRUCTIONS

GB  
ROI  
IN  
JM  
MT  
PH  
SG

## READ AND SAVE THESE INSTRUCTIONS

**BEFORE INSTALLING OR USING THIS UNIT READ ALL INSTRUCTIONS AND CAUTIONARY MARKINGS IN THIS INSTALLATION GUIDE AND THE OWNER'S MANUAL.**

### WARNING

ALL INSTALLATION AND REPAIR WORK (PLUMBING AND ELECTRICAL) SHOULD BE CARRIED OUT BY A QUALIFIED PERSON OR DYSON SERVICE ENGINEER IN ACCORDANCE WITH CURRENT LOCAL CODES OR REGULATIONS.

### WARNING

RISK OF ELECTRIC SHOCK!

IF CASING IS REMOVED OR HANDLED IMPROPERLY THE INTERNAL COMPONENTS OF THE UNIT MAY CAUSE HARM OR BECOME PERMANENTLY DAMAGED.

THIS UNIT MUST BE EARTHED TO REDUCE THE RISK OF FIRE, ELECTRIC SHOCK, OR INJURY TO PERSONS, OBSERVE THE FOLLOWING:

- Before beginning any installation work you must confirm the following.
- Check that the electrical supply corresponds to that shown on the rating plate.
  - A means for all-pole disconnection must be incorporated into fixed wiring, in accordance with local wiring regulations.

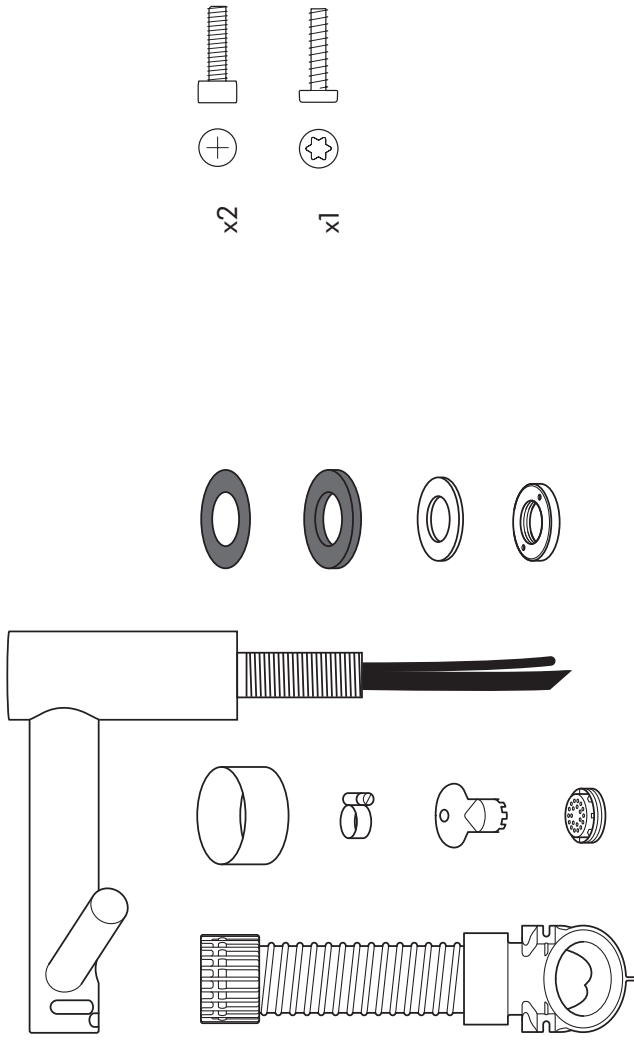
- Connect the electricity supply using suitable conduit and electrical fittings. Ensure that the conduit and wires are long enough to connect to the backplate and the terminal block. Solid metal conduit is not suitable for side entry.

### WARNING

Use caution when unpacking the components. There may be sharp edges/corners which may cut or cause harm.

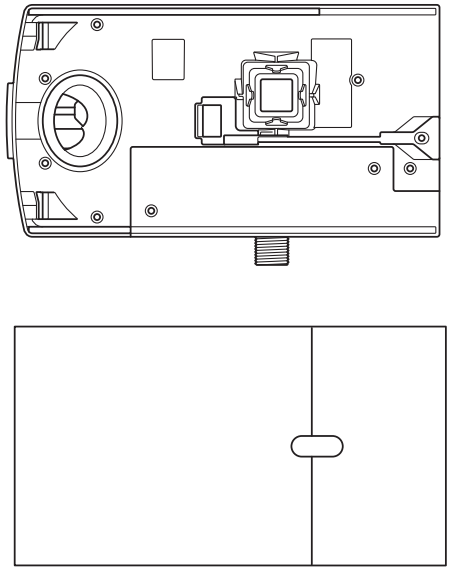
**DO NOT USE ANY JET WASH EQUIPMENT FOR CLEANING ON OR NEAR THIS UNIT**

# In the box



## Tools required:

- Small Phillips screwdriver
- 7mm slotted screwdriver
- 2.5mm slotted screwdriver
- Torx T15 screwdriver
- Tape measure and pencil
- Hand drill
- Suitable drill bit
- Pliers/wire strippers
- Knife
- Adjustable spanner



# Pre-installation checks

## Fig. A

### Pre-installation planning

The Dyson Airblade Wash+Dry hand dryer is designed so that the motor unit is wall mounted and located under the basin Fig. A(i).

The fitting of an inline filter is advised to prevent any damage that may affect your guarantee.

- Allow sufficient access space for installation and servicing, see Fig. A(ii).
- The unit is designed for a dry, internal location only.
- Consult local and national accessibility codes and regulations for relevant installation guidelines. Conformity and compliance is the responsibility of the installer. Make sure that the unit is installed in compliance with all building codes and/or regulations.
- A means for all-pole disconnection must be incorporated into fixed wiring, in accordance with local wiring regulations.
- Isolate the power and water supplies before installation or service.
- Ensure no pipe work (gas, water, air) or electrical cables, wires or ductwork are located directly behind the drilling/mounting area.
- Dyson recommends the use of protective clothing, eye wear and materials when installing/repairing as necessary.
- This appliance is intended to be permanently connected to the water mains.

### Use in food preparation areas

For food preparation environments special installation is required, which must fully enclose the motor bucket and hose in a cleanable housing or have the motor bucket on the reverse side of a wall, provide adequate clearance for cleaning underneath (if applicable) and be such that the unit is at least 2.5 metres from uncovered food or uncovered food-contact surfaces.

Refer to the sink recommendation guide at [www.dyson.com](http://www.dyson.com) prior to install.

## Fig. B

### Sink specification guidelines

Using a specially designed test method, Dyson engineers tested a wide range of sinks to assess their compatibility with the Dyson Airblade Wash+Dry hand dryer. For recommended sinks, please use our guide at [www.dyson.com](http://www.dyson.com).

Porcelain or brushed metal sinks are ideal. Sinks with highly polished surfaces should be avoided e.g. reflective chrome. For minimum sink dimensions refer to Fig. B.

## Fig. C/D/E

### Tap mounting

There should be a minimum of 100mm and a maximum of 155mm from the top of the sink to the tap centre Fig. C.

There should be a minimum of 290mm between a tap centre and a side wall. When multiple taps are installed side-by-

side, tap centres should be a minimum of 580mm apart. This allows sufficient space for mounting the motor bucket, as well as sufficient shoulder room for users Fig. D. Do not place the downward facing water sensor of the tap over a reflective surface, such as the drainage hole Fig. E.

## Fig. F

### Soap and locating the soap dispenser

For best user experience, Dyson recommends the use of gel soap.

The infrared sensing zone for air activation extends along each tap branch. In order to prevent accidental activation, it's important to consider the user's hand route to the soap dispenser.

The dispenser should be located at least 60mm outside the width of the tap, so the user reaches around the side of the branch.

It should also be located at least 60mm above the branches, so that the sensors are not activated.

Please note that the user may reach diagonally across for the soap, so this path must not go through the sensing zone.

## Fig. G/H

### Water drainage

Due to high velocity air and water being in close proximity, there is a chance of some water and soap dispersion outside the sink dimensions. To alleviate this effect, we recommend following the guidelines below.

### Base Profile

Flat base profile will result in poor drainage leading to high levels of splashback.

To improve drainage, avoid sinks with a flat base with particular focus on the immediate area surrounding the drain hole, minimum 60mm radius Fig. G.

Minimum of 6° ramp angle from the edge of the drain hole of the sink will result in good drainage leading to reduced levels of splashback (minimum 60mm radius) Fig. H.

## Fig. I/J/K

### Base to back and front wall transition

The base to back and front wall transition should also be considered. The back wall should be as close to 90°, and at as sharp a radius as possible Fig. I. Curved geometry is more likely to increase splashback

Fig. J, whereas sloping back and front wall transitions should be avoided Fig. K.

## Fig. L

### Plug hole

Plug holes with the most open aperture are recommended, whereas grill or perforated type plug holes should be avoided as they restrict the drainage of soapy water (lather). Do not use plugs within the plug holes in sinks.

## Fig. M

### Water temperature control

If you are connecting a hot and cold water feed you will need to install a blender valve. If connecting to cold only water feed you will need to install a heater.

The water supply to this product must be fitted with a temperature control device in accordance with local regulations.

- A= Blender valve
- B= Hot and cold feed
- C= Desired temperature out
- D= Isolation valve
- E= Heater
- F= Cold feed in

## Additional Information

### Installing

Do not use sealant when fixing the unit to the wall.  
Ensure electricity and mixed water supplies and drainage connections are available for connection. Suitable isolation of the power and water supplies must be in place to switch off supplies before install and for servicing.

### Electrical

Input voltage/Frequency: Refer to rating plate.  
Isolated by switch fuse spur or RCD as appropriate.  
Current 6.6 A.  
Cable specification: Dual core PVC + Single core PVC (earth)  
Local electrical regulations must be adhered to when installing or repairing the product.  
Rated power: Refer to rating plate.  
Operating temperature range: 0° – 40°C.  
Standby power consumption: Less than 0.5 W.  
Maximum altitude: 2,000 metres.

### Water operation

Water flow rate: 1.9 l/m standard fitted aerator. 4 l/min with low flow aerator supplied with product.

Water pressure required: 1-8 bar. 1/2" BSP isolated valve required for service.

Keep secondary hot water return as close to blender valve as possible to reduce the risk of Legionella bacteria growth.

### Automatic duty flush

The unit is equipped with a fixed automatic water flush, which activates for 60 seconds 24 hours after last use. This helps reduce water stagnation and bacteria proliferation within the product.

Please ensure that the unit is always installed over a functional basin with free and connected drainage.

### Water supply cleanliness and biological growth

In some countries there are regulations or guidelines that require temperature controlled water supply systems (such as that supplied to the Dyson Airblade Wash+Dry hand dryer) to be subjected to regular cleaning to minimise any biological growth. To enable you to meet these regulations, the Dyson Airblade Wash+Dry hand dryer has been designed and tested to withstand internal cleaning both with hot water up to 95°C and with sodium hypochlorite at a concentration of 0.45%.

Please refer to specific (market) regulations and water supply system recommendations for information on cleaning regimes for water supply cleanliness and biological growth for your country.

When carrying out internal cleaning of the Dyson Airblade Wash+Dry hand dryer, please be aware of any safety considerations when using hot water or chemicals. Dyson will not be responsible for any injury caused by this process.

### Abusive testing

The Dyson Airblade Wash+Dry hand dryer has undergone rigorous abusive testing to ensure that it can withstand substantial forces and impacts typical of a commercial and public bathroom environment.



# Step-by-step

## Fig. 1

### Position

Position the Tap over the centre of the basin  
Fig. 1.

Cut a 35 mm diameter hole in the work  
surface, if required.

## Fig. 2

### Tap installation

Slide the 1mm rubber seal on to the tap stem  
Fig. 2a.

Feed the tap stem and the attached water  
tube and communications cable through the  
hole in the work surface. Ensure the 1mm  
rubber seal is seated under the tap evenly  
and flat.

Ensure tap is in the correct position above  
the sink.

Slide the 3.5mm rubber seal on to the  
tap stem.

Insert the screws into the brass locking ring  
and tighten lightly to hold them in place.

Slide the metal washer on to the tap stem.

Screw the brass locking nut on to the tap stem,  
leaving a gap less than or equal to 5mm  
between the metal washer and the brass  
locking nut.

Tighten the screws through the brass locking  
nut into the metal washer, until hand tight.

- A= 1mm rubber seal
- B= Tap stem
- C= Water tube
- D= Sensor cable
- E= 3.5mm seal
- F= Metal washer
- G= Brass locking nut
- H= 2 x screws

## Fig. 3

### Hose installation

Slide the grey hose up over the water tube and  
sensor cable Fig. 3a.

Feed the water tube through the left exit hole  
in the hose duct as shown in Fig. 3b.

Use pliers to gently pull the water tube  
through as far as the solid white line Fig. 3c.

Ensure the grommet on the water tube fits  
tightly into the hose duct so that it is airtight  
Fig. 3b.

Feed the sensor cable through the right exit  
hole, pulling gently as you feed it through  
Fig. 3b. DO NOT use pliers as this may  
damage the electrical connections Fig. 3c.  
Ensure the grommet on the cable fits tightly  
into the hose duct so that it is airtight Fig. 3d.  
Silicone grease may be used to assist with  
the fitting.

Screw the upper hose collar on to the tap stem  
so that it is hand tight Fig. 3e.

- A= Grey hose
- B= Water tube
- C= Sensor cable

## Fig. 4

### Preparing for installation of backplate

Remove the motor bucket from the backplate  
by pressing the red release catch at the  
bottom and lifting up as shown in Fig. 4a.  
Store the motor bucket safely until required.

Remove the water pipe cover and the electrics  
cover from the backplate using a Torx T15  
screwdriver Fig. 4b and 4c. Store them safely  
along with fixings until required.

## Fig. 5

### Backplate installation planning

The backplate can be positioned in one of  
three ways: vertical, or 90° horizontal left or  
right. Clearance from the floor should be a  
100mm minimum see Fig. 5a.

Ensure that the backplate is positioned so that  
the hose can be easily attached.

DO NOT place motor upside down with hose  
pointing down, or position above the Tap see  
Fig. 5b.

Mark the position of the backplate on the wall.

### Cable entry

Cable entry can be either from the base or  
from the wall directly into the back of the unit  
via the rear cable entry point. Decide which  
before you start.

If choosing the cable entry option through  
the base, use pliers to carefully nip out the  
pre-marked break-out panel on the base of  
the backplate. File the edges of the break-out  
section smooth Fig. 5c.

### Water entry

Water connection is made on the left hand  
side of the backplate. The water connection  
can not be rotated within the backplate  
Fig. 5d.

## Fig. 6

### Backplate installation

If cable entry is to be directly into the  
backplate from the wall, pull through the  
electrical cable before securing the backplate  
to the wall.

Secure the backplate to the wall using the  
appropriate fixings Fig. 6.

Do not use countersunk screws.

## Fig. 7

### Connecting the sensor cable

Clip the grey hose into the backplate.

Plug the sensor cable in the hose into the  
connector in the backplate as shown in Fig. 7.  
Check the orientation of the connector; the  
two tabs must be lined up. Ensure the cable is  
correctly routed in the backplate.

## Fig. 8

### Connecting the water tube

Cut the water tube to size at the dotted white  
line as shown in Fig. 8a.

Slide the hose clip (supplied) on to the water  
tube Fig. 8b.

Remove the 2 x Phillips screws and unclip the solenoid from the backplate [Fig. 8b](#).

Attach the water hose to the solenoid [Fig. 8c](#).

Clip the solenoid back on to the backplate and fasten the 2 x screws [Fig. 8d](#).

Tighten the hose clip and ensure the solenoid cable is correctly positioned in the retaining channel.

## Fig. 9

### Connecting the electricity supply

Route the electricity supply to the backplate using approved flexible or solid conduit and fittings. Ensure the power cable is long enough to connect to the terminal block mounted in the back plate.

Route the cable into the backplate and tighten the cable gland.

Strip the cable to a suitable length and secure the live and neutral wires into the corresponding terminal blocks as shown in [Fig. 9](#). Ensure the correct positioning of the cables before proceeding.

## Fig. 10

### Re-assemble electrical cover

Fix the electrics cover and secure with the 6 x fixings supplied ensuring no wires are trapped.

## Fig. 11

### Connecting the mixed water supply

**NOTE:** Ensure water feed has been completely flushed of debris, copper filings etc. prior to connecting to the backplate. Failure to do so may damage the solenoid valve.

Connect the isolated, mixed water supply to the backplate.

Turn on the water.

Inspect for leaks at the main water supply inlet and the water tube connection to the tap.

Also check for leaks at the solenoid connection.

## Fig. 12

### Switching power on

Switch on power to the machine.

**CALIBRATION CYCLE:** Once installed, the tap will go through a 30 second calibration cycle.

Place hand under sensor on tap to activate water flow [Fig. 12a](#).

Check for leaks as per [Fig. 11](#).

Secure the water pipe cover on to the backplate using the 2 x fixings provided [Fig. 12b](#).

## Fig. 13

### Assembling the motor bucket

Hook the motor to the top of the electrics cover. Swing it downwards so it clicks into place as shown. Push in securely [Fig. 13a](#).

**OPTIONAL:** A screw is supplied to secure the red release button and prevent unwanted removal of the motor bucket.

Test the unit for correct operation.

### Securing the motor bucket to the backplate (optional).

To remove the filter, gently use a screwdriver to release the tab on the filter as shown [Fig. 13b](#).

Secure the motor bucket to the backplate using the security screw supplied [Fig. 13c](#).

Re-connect the filter ensuring that it clicks into place [Fig. 13d](#).

# Test installation

# Troubleshooting

GB  
ROI  
IN  
JM  
MT  
PH  
SG

Test the hand dryer for normal operation:

- Place your hands beneath the centre of the tap and water will flow automatically for as long as the hands remain in place.
- Place your hands to either side of the centre tap to activate the hand dryer, creating sheets of air to scrape water from your hands.
- Move your hands backwards and forwards slowly through the air, turning them over so both back and front are exposed to the airflow.

**Hand dryer fails to start:**

- Check fuse/circuit breaker is working and that the power and water supply are connected.
- Ensure the cleaning cap is removed and that the sensors are clean and unobstructed.
- Turn the unit off and on.

**Hand dryer turns itself on and off erratically:**

- Turn the unit off and on.
- Ensure there is no plug in the sink and remove if plug is present.
- Ensure sensors are clean.
- Check that the sensor cable from the tap is securely connected.

**Hand dryer sometimes cuts out in use:**

- Turn the unit off and on.
- Ensure sensors are clean.
- Check the air inlets are clean and free of dust. If the air inlets are dusty simply remove dust.
- Ensure that the air inlets are free from obstructions and have sufficient clearance.

**The dry time has increased:**

- Inspect the air inlets for dust and remove.
- Inspect filter and change if required.
- Ensure that the hose is securely attached to the base of the tap and no leaks are present.

**The airflow is running hotter than usual:**

- Inspect the air inlets for dust and remove.
- Inspect filter and change if required.
- Ensure that the hose is securely attached to the base of the tap and no leaks are present.

**Air is continuously running:**

- Check for any object in the sink and remove if necessary.
- Ensure sensors are clean and free from any obstructions.
- Inspect filter and change if required.
- Ensure that the hose is securely attached to the base of the tap and no leaks are present.

**There is no air running:**

- Turn the unit off and on.
- Check fuse/circuit breaker is working and that the power is connected.
- Ensure sensors are clean.
- Ensure that the air hose is securely attached to the base of the tap and no leaks are present.
- Check that the sensor cable from the tap is securely connected.

**Water is continuously coming from the tap:**

- Ensure sensors are clean and free from any obstructions.

**There is no water coming from the tap:**

- Ensure that the power and water supplies are turned on and that the isolation valve is open.
- Ensure that the aerator is free from debris, remove and clean/replace if necessary.

**The water coming from the tap is overly hot or cold:**

- Check the blender valve is set to the desired temperature.
- Contact Dyson Customer Care for further support and information or online at [www.dyson.com](http://www.dyson.com)

# AU/NZ

## Contents



<b>Important Safety Instructions</b>	<b>13</b>	<b>⚠</b>
<b>In the box</b>	<b>14</b>	
<b>Pre-installation checks</b>	<b>15</b>	
<b>Installation</b>		
Step-by-step	17	
Test installation	19	
Troubleshooting	19	

# IMPORTANT SAFETY INSTRUCTIONS

## READ AND SAVE THESE INSTRUCTIONS

**BEFORE INSTALLING OR USING THIS UNIT READ ALL INSTRUCTIONS AND CAUTIONARY MARKINGS IN THIS INSTALLATION GUIDE AND THE OWNERS MANUAL.**

### WARNING

ALL INSTALLATION AND REPAIR WORK (PLUMBING AND ELECTRICAL) SHOULD BE CARRIED OUT BY A QUALIFIED PERSON OR DYSON SERVICE ENGINEER IN ACCORDANCE WITH CURRENT LOCAL CODES OR REGULATIONS.

### WARNING

RISK OF ELECTRIC SHOCK!

IF CASING IS REMOVED OR HANDLED IMPROPERLY THE INTERNAL COMPONENTS OF THE UNIT MAY CAUSE HARM OR BECOME PERMANENTLY DAMAGED.

THIS UNIT MUST BE EARTHED TO REDUCE THE RISK OF FIRE, ELECTRIC SHOCK, OR INJURY TO PERSONS, OBSERVE THE FOLLOWING:

- Before beginning any installation work you must confirm the following.
- Check that the electrical supply corresponds to that shown on the rating plate.

- A means for all-pole disconnection must be incorporated into fixed wiring, in accordance with local wiring regulations.
- Connect the electricity supply using suitable conduit and electrical fittings. Ensure that the conduit and wires are long enough to connect to the backplate and the terminal block. Solid metal conduit is not suitable for side entry.

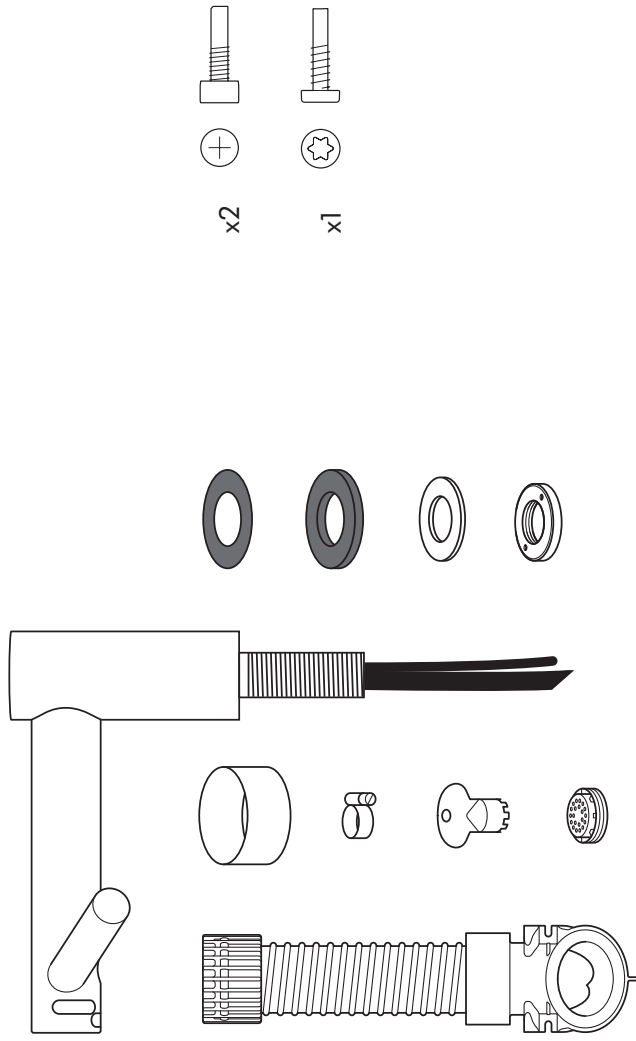
### WARNING

Use caution when unpacking the components. There may be sharp edges/corners which may cut or cause harm.

**DO NOT USE ANY JET WASH EQUIPMENT FOR CLEANING ON OR NEAR THIS UNIT**

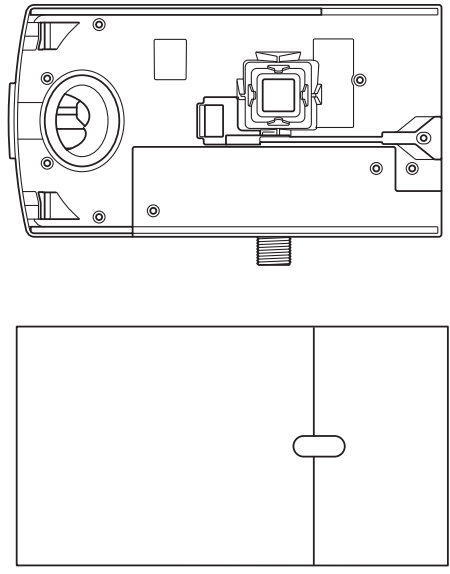
# In the box

AU  
NZ



## Tools required:

- Small Phillips screwdriver
- 7mm blade screwdriver
- Small bladed screwdriver
- Torx drive T15
- Tape measure and pencil
- Hand drill
- Suitable drill bit
- Pliers/wire strippers
- Knife
- Adjustable spanner



# Pre-installation checks

## Fig. A

### Pre-installation planning

The Dyson Airblade Wash+Dry hand dryer is designed so that the motor unit is wall mounted and located under the basin Fig. A(i).

The fitting of an inline filter is advised to prevent any damage that may affect your guarantee.

- Allow sufficient access space for installation and servicing, see Fig A(ii).
- The unit is designed for dry, internal location only.
- Consult local and national accessibility codes and regulations for relevant installation guidelines. Conformity and compliance is the responsibility of the installer. Make sure that the unit is installed in compliance with all building codes and/or regulations.
- A means for all-pole disconnection must be incorporated into fixed wiring, in accordance with local wiring regulations
- Isolate the power and water supplies before installation or service.
- Ensure no pipe work (gas, water, air) or electrical cables, wires or ductwork are located directly behind the drilling/mounting area.
- Dyson recommends the use of protective clothing, eyewear and materials when installing/repairing as necessary.
- This appliance is intended to be permanently connected to the water mains.

### Use in food preparation areas

For food preparation environments special installation is required, which must fully enclose the motor bucket and hose in a cleanable housing or have the motor bucket on the reverse side of a wall, provide adequate clearance for cleaning underneath (if applicable) and be such that the unit is at least 2.5 metres from uncovered food or uncovered food-contact surfaces.

Refer to the Sink recommendation guide at [www.dyson.com](http://www.dyson.com) prior to install.

## Fig. B

### Sink specification guidelines

Using a specially designed test method, Dyson engineers tested a wide range of sinks to assess their compatibility with the Dyson Airblade Wash+Dry hand dryer. For recommended sinks, please use our guide at [www.dyson.com.au](http://www.dyson.com.au).

Porcelain or brushed metal sinks are ideal. Sinks with highly polished surfaces should be avoided e.g. reflective chrome. For minimum sink dimensions refer to Fig. B.

## Fig. C/D/E

### Tap mounting

There should be a minimum of 100mm and a maximum of 155mm from the top of the sink to the tap centre. Fig. C

There should be a minimum of 290mm between a tap centre and a side wall. When multiple taps are installed side-by-side,

tap centres should be a minimum of 580mm apart. This allows sufficient space for mounting the motor bucket, as well as sufficient shoulder room for users. Fig. D Do not place the downward facing water sensor of the tap over a reflective surface, such as the drainage hole. Fig. E

## Fig. F

### Soap and locating the soap dispenser

For best user experience, Dyson recommends the use of gel soap.

The infrared sensing zone for air activation extends along each tap branch. In order to prevent accidental activation, it's important to consider the user's hand route to the soap dispenser.

The dispenser should be located at least 60mm outside the width of the tap, so the user reaches around the side of the branch.

It should also be located at least 60mm above the branches, so that the sensors are not activated.

Please note that the user may reach diagonally across for the soap, so this path must not go through the sensing zone.

## Fig. G/H

### Water drainage

Due to high velocity air and water being in close proximity, there is a chance of some water and soap dispersion outside the sink dimensions. To alleviate this effect, we recommend following the guidelines below.

### Base Profile

Flat base profile will result in poor drainage leading to high levels of splashback. To improve drainage, avoid sinks with a flat base with particular focus on the immediate area surrounding the drain hole, minimum 60mm radius. Fig. G.

Minimum of 6° ramp angle from the edge of the drain hole of the sink will result in good drainage leading to reduced levels of splashback (minimum 60mm radius). Fig. H

## Fig. I/J/K

### Base to back and front wall transition

The base to back and front wall transition should also be considered. The back wall should be as close to 90°, and as sharp a radius as possible Fig. I. Curved geometry is more likely to increase splashback

Fig. J, whereas sloping back and front wall transitions should be avoided Fig. K.

## Fig. L

### Plug hole

Plug holes with the most open aperture are recommended, whereas grill or perforated type plug holes should be avoided as they restrict the drainage of soapy water (lather). Do not use plugs within the plug holes in sinks.

## Fig. M

### Water temperature control

If you are connecting a hot and cold water feed you will need to install a thermostatic mixing valve.

If connecting to cold only water feed you will need to install a heater.

The water supply to this product must be fitted with a temperature control device in accordance with local regulations.

- A= Thermostatic mixing valve
- B= Hot and cold feed
- C= Desired temperature out
- D= Isolation valve
- E= Heater
- F= Cold feed in

## Additional Information

### Installing

Do not use sealant when fixing the unit to the wall.  
Ensure electricity and mixed water supplies and drainage connections are available for connection. Suitable isolation of the power and water supplies must be in place to switch off supplies before install and for servicing.

### Electrical

Input voltage/Frequency: Refer to rating plate.  
Isolated by switch fuse spur or RCD as appropriate.  
Current 6.6 A.  
Cable specification: Dual core PVC + Single core PVC (earth)  
Local electrical regulations must be adhered to when installing or repairing the product.  
Rated power: Refer to rating plate.  
Operating temperature range: 0° – 40°C.  
Standby power consumption: Less than 0.5 W.  
Maximum altitude: 2,000 metres.

### Water operation

Water flow rate: 4 l/min normal fitted aerator. 1.9 l/m with low flow aerator supplied with product.

Water pressure required: 1-8 bar. 1/2" BSP isolation valve required for service.

Keep secondary hot water return as close to thermostatic mixing valve as possible to reduce the risk of Legionella bacteria growth.

### Automatic duty flush

The unit is equipped with a fixed automatic water flush, which activates for 60 seconds 24 hours after last use. This helps reduce water stagnation and bacteria proliferation within the product.

Please ensure the unit is always installed over a functional basin with free and connected drainage.

### Water supply cleanliness and biological growth

In some countries there are regulations or guidelines that require temperature controlled water supply systems (such as that supplied to the Dyson Airblade Wash+Dry hand dryer) to be subjected to regular cleaning to minimise any biological growth. To enable you to meet these regulations, the Dyson Airblade Wash+Dry hand dryer has been designed and tested to withstand internal cleaning both with hot water up to 95°C and with sodium hypochlorite at a concentration of 0.45%.

Please refer to specific (market) regulations and water supply system recommendations for information on cleaning regimes for water supply cleanliness and biological growth for your country.

When carrying out internal cleaning of the Dyson Airblade Wash+Dry hand dryer, please be aware of any safety considerations when using hot water or chemicals. Dyson will not be responsible for any injury caused by this process.

### Abusive testing

The Dyson Airblade Wash+Dry hand dryer has undergone rigorous abusive testing to ensure that it can withstand substantial forces and impacts typical of a commercial and public bathroom environment.



# Step-by-step

## Fig. 1

### Position

Position the Tap over the centre of the basin  
Fig. 1.

Cut a 35 mm diameter hole in the work  
surface, if required.

## Fig. 2

### Tap installation

Slide the 1mm rubber seal on to the tap  
stem Fig. 2a.

Feed the tap stem and the attached water  
tube and communications cable through the  
hole in the work surface. Ensure the 1mm  
rubber seal is seated under the tap evenly  
and flat.

Ensure tap is in the correct position above  
the sink.

Slide the 3.5mm rubber seal on to the  
tap stem.

Insert the screws into the brass locking ring  
and tighten lightly to hold them in place.

Slide the metal washer on to the tap stem.

Screw the brass locking nut on to the tap  
stem, leaving a gap less than or equal to  
5mm between the metal washer and the  
brass locking nut.

Tighten the screws through the brass locking  
nut into the metal washer, until hand tight.

## Fig. 4

### Preparing for installation of backplate

Remove the motor bucket from the  
backplate by pressing the red release catch  
at the bottom and lifting up as shown  
in Fig. 4a. Store the motor bucket safely  
until required.

Remove the water pipe cover and the  
electrics cover from the backplate using a  
Torx T15 screwdriver Fig. 4b and 4c. Store  
them safely along with fixings until required.

## Fig. 5

### Backplate installation

The backplate can be positioned in one of  
three ways: vertical, or 90° horizontal left or  
right. Clearance from the floor should be a  
100mm minimum see Fig. 5a.

Ensure that the backplate is positioned so  
that the hose can be easily attached.

DO NOT place motor upside down with  
hose pointing down, or position above the  
Tap see Fig. 5b.

Mark the position of the backplate on  
the wall.

### Cable entry

Cable entry can be either from the base or  
from the wall directly into the back of the  
unit via the rear cable entry point. Decide  
which before you start.

If choosing the cable entry option through  
the base, use pliers to carefully nip out the  
pre-marked break-out panel on the base of  
the backplate. File the edges of the break-  
out section smooth Fig. 5c.

## Fig. 3

### Hose Installation

Slide the grey hose up over the water tube  
and sensor cable Fig. 3a.

Feed the water tube through the left exit  
hole in the hose duct as shown in Fig. 3b.

Use pliers to gently pull the water tube  
through as far as the solid white line Fig. 3c.

Ensure the grommet on the water tube fits  
tightly into the hose duct so that it is airtight  
Fig. 3b.

Feed the sensor cable through the right exit  
hole, pulling gently as you feed it through  
Fig. 3b. DO NOT use pliers as this may  
damage the electrical connections Fig. 3c.

Ensure the grommet on the cable fits tightly  
into the hose duct so that it is airtight  
Fig. 3a. Silicone grease may be used to  
assist with the fitting.

Screw the upper hose collar on to the tap  
stem so that it is hand tight Fig. 3e.

A= Grey hose  
B= Water tube  
C= Sensor cable

### Water entry

Water connection is made on the left hand  
side of the backplate. The water connection  
can not be rotated within the backplate  
Fig. 5d.

## Fig. 6

### Backplate installation

If cable entry is to be directly into the  
backplate from the wall, pull through the  
electrical cable before securing the  
backplate to the wall.

Secure the backplate to the wall using the  
appropriate fixings Fig. 6.

Do not use countersunk screws.

## Fig. 7

### Connecting the sensor cable

Clip the grey hose into the backplate.

Plug the sensor cable in the hose into  
the connector in the backplate as shown  
in Fig. 7. Check the orientation of the  
connector; the two tabs must be lined  
up. Ensure the cable is correctly routed in  
the backplate.

## Fig. 8

### Connecting the water tube

Cut the water tube to size at the dotted white  
line as shown in Fig. 8a.

Slide the hose clip (supplied) on to the water  
tube Fig. 8b.

Remove the 2 x Phillips screws and unclip the solenoid from the backplate [Fig. 8b](#). Attach the water hose to the solenoid [Fig. 8c](#).

Clip the solenoid back on to the backplate and fasten the 2 x screws [Fig. 8d](#).

Tighten the hose clip and ensure the solenoid cable is correctly positioned in the retaining channel.

## Fig. 9

### Connecting the electricity supply

Route the electricity supply to the backplate using approved flexible or solid conduit and fittings. Ensure the power cable is long enough to connect to the terminal block mounted in the back plate.

Route the cable into the backplate and tighten the cable gland.

Strip the cable to a suitable length and secure the live and neutral wires into the corresponding terminal blocks as shown in [Fig. 9](#). Ensure the correct positioning of the cables before proceeding.

## Fig. 10

### Re-assemble electrical cover

Fix the electrics cover and secure with the 6 x fixings supplied ensuring no wires are trapped.

## Fig. 11

### Connecting the mixed water supply

**NOTE:** ensure water feed has been completely flushed of debris, copper filings etc. prior to connecting to the backplate. Failure to do so may damage the solenoid valve resulting in it not closing properly, creating a dripping tap.

Connect the isolated, mixed water supply to the backplate.

Turn on the water.

Inspect for leaks at the main water supply inlet and the water tube connection to the tap.

Also check for leaks at the solenoid connection.

## Fig. 12

### Switching power on

Switch on power to the machine.

**CALIBRATION CYCLE:** Once installed, the tap will go through a 30 second calibration cycle.

Place hand under sensor on tap to activate water flow. [Fig 12a](#).

Check for leaks as per [Fig. 11](#).

Secure the water pipe cover onto the backplate using the 2 x fixings provided. [Fig 12b](#).

## Fig. 13

### Assembling the motor bucket

Hook the motor to the top of the electrics cover. Swing it downwards so it clicks into place as shown. Push in securely [Fig. 13a](#).

**OPTIONAL:** A screw is supplied to secure the red release button and prevent unwanted removal of the motor bucket. Test the unit for correct operation.

### Securing the motor bucket to the backplate (optional).

To remove the filter, gently use a screwdriver to release the tab on the filter as shown [Fig. 13b](#).

Secure the motor bucket to the backplate using the security screw supplied [Fig. 13c](#).

Re-connect the filter ensuring that it clicks into place [Fig. 13d](#).

# Test installation

# Troubleshooting

Test the hand dryer for normal operation:

- Place your hands beneath the centre of the tap and water will flow automatically for as long as the hands remain in place.
- Place your hands to either side of the centre tap to activate the hand dryer, creating sheets of air to scrape water from your hands.
- Move your hands backwards and forwards slowly through the air, turning them over so both back and front are exposed to the airflow.

**Hand dryer fails to start:**

- Check fuse/circuit breaker is working and that the power and water supply are connected.
- Ensure the cleaning cap is removed and that the sensors are clean and unobstructed.
- Turn the unit off and on.

**Hand dryer turns itself on and off erratically:**

- Turn the unit off and on.
- Ensure there is no plug in the sink and remove if plug is present.
- Ensure sensors are clean.
- Check that the sensor cable from the tap is securely connected.

**Hand dryer sometimes cuts out in use:**

- Turn the unit off and on.
- Ensure sensors are clean.
- Check the air inlets are clean and free of dust. If the air inlets are dusty simply remove dust.
- Ensure that the air inlets are free from obstructions and have sufficient clearance.

**The dry time has increased:**

- Inspect the air inlets for dust and remove.
- Inspect filter and change if required.
- Ensure that the hose is securely attached to the base of the tap and no leaks are present.

**The airflow is running hotter than usual:**

- Inspect the air inlets for dust and remove.
- Inspect filter and change if required.
- Ensure that the hose is securely attached to the base of the tap and no leaks are present.

**Air is continuously running:**

- Check for any object in the sink and remove if necessary.
- Ensure sensors are clean and free from any obstructions.
- Inspect filter and change if required.
- Ensure that the hose is securely attached to the base of the tap and no leaks are present.

**There is no air running:**

- Turn the unit off and on.
- Check fuse/circuit breaker is working and that the power is connected.
- Ensure sensors are clean.
- Ensure that the air hose is securely attached to the base of the tap and no leaks are present.
- Check that the sensor cable from the tap is securely connected.

**Water is continuously coming from the tap:**

- Ensure sensors are clean and free from any obstructions.

**There is no water coming from the tap:**

- Ensure that the power and water supplies are turned on and that the isolation valve is open.
- Ensure that the aerator is free from debris, remove and clean/replace if necessary.

**The water coming from the tap is overly hot or cold:**

- Check the thermostatic mixing valve is set to the desired temperature.
- Contact Dyson Customer Care for further support and information:  
Australia Contact: 1800 426 337 or [aucustomercare@dyson.com](mailto:aucustomercare@dyson.com).  
[www.dyson.com.au](http://www.dyson.com.au)  
New Zealand contact: 0800 397 667  
[www.dyson.co.nz](http://www.dyson.co.nz)